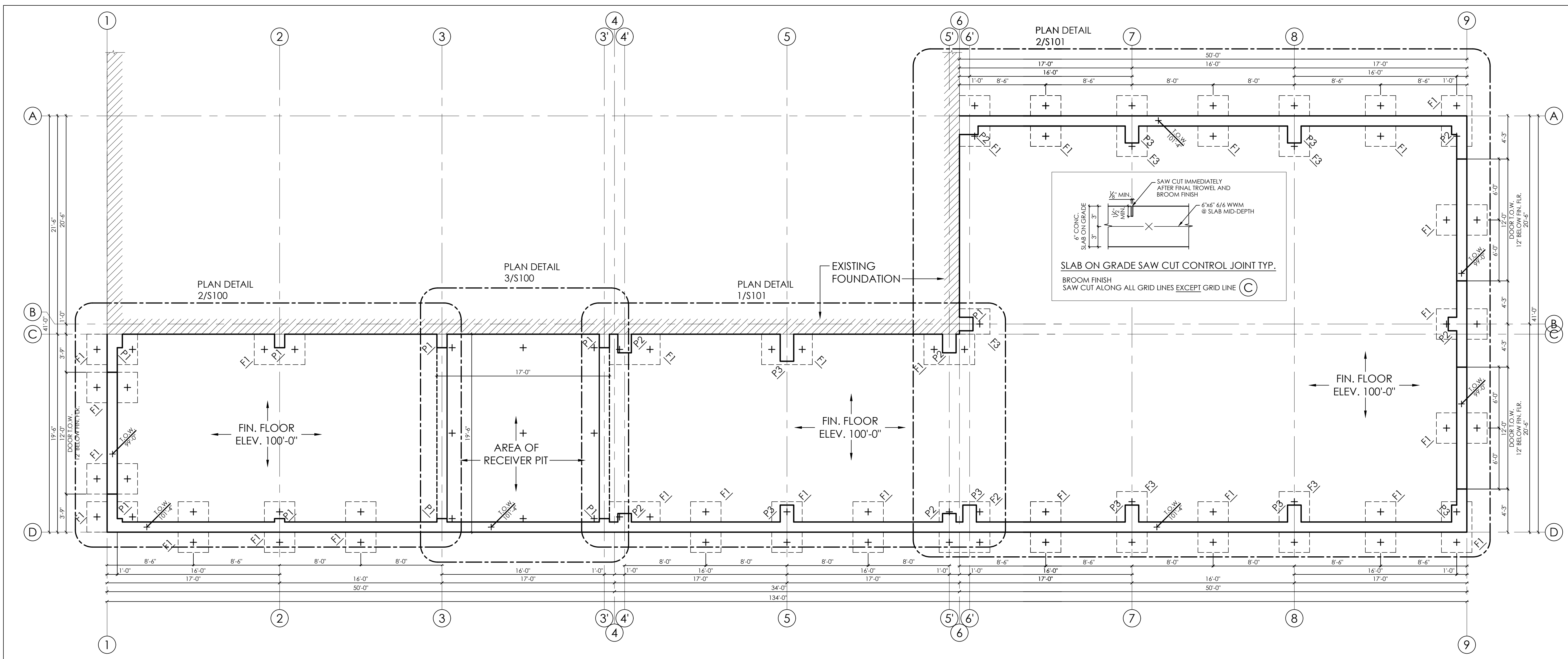


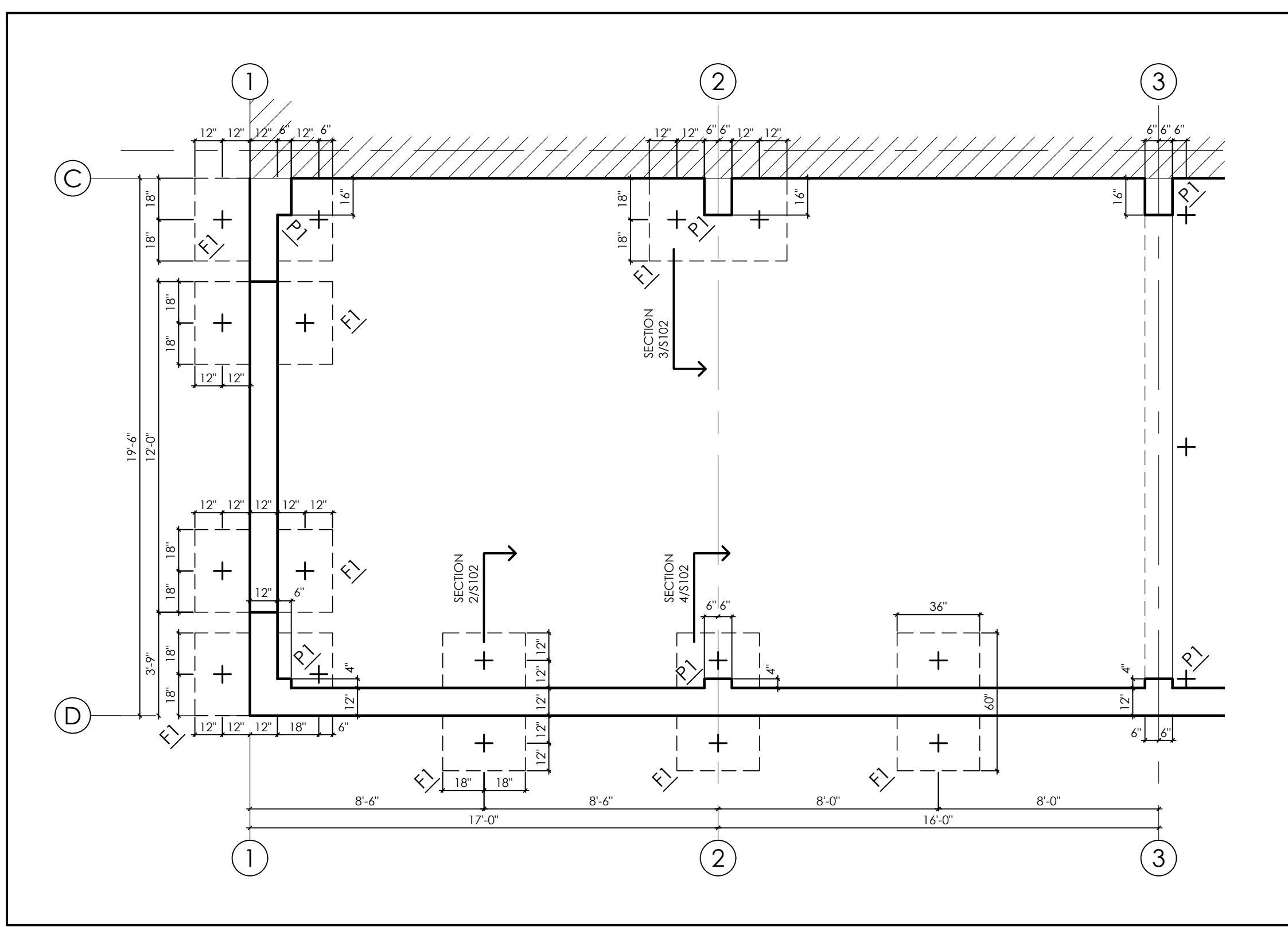
NO.	REVISION	DATE
1	FOR INTERNAL REVIEW ONLY	MAR. 20/2024
2	FOR 90% REVIEW	MAR. 26/2024
3	FOR TENDER	MAR. 28/2024

- GENERAL NOTES**
- DO NOT SCALE DRAWINGS.
 - DO ALL WORK IN ACCORDANCE WITH THE ONTARIO BUILDING CODE LATEST EDITION.
 - CONTRACTOR IS TO DO A COMPLETE LAYOUT OF THE WORK ON SITE BEFORE COMMENCING ANY WORK. REPORT ANY DISCREPANCIES BETWEEN THESE DRAWINGS AND EXISTING CONDITIONS IMMEDIATELY TO ENGINEER.
 - SEE PROJECT TENDER DOCUMENTS AND SPECIFICATIONS FOR ADDITIONAL REQUIRED INFORMATION PERTAINING TO THE WORK.

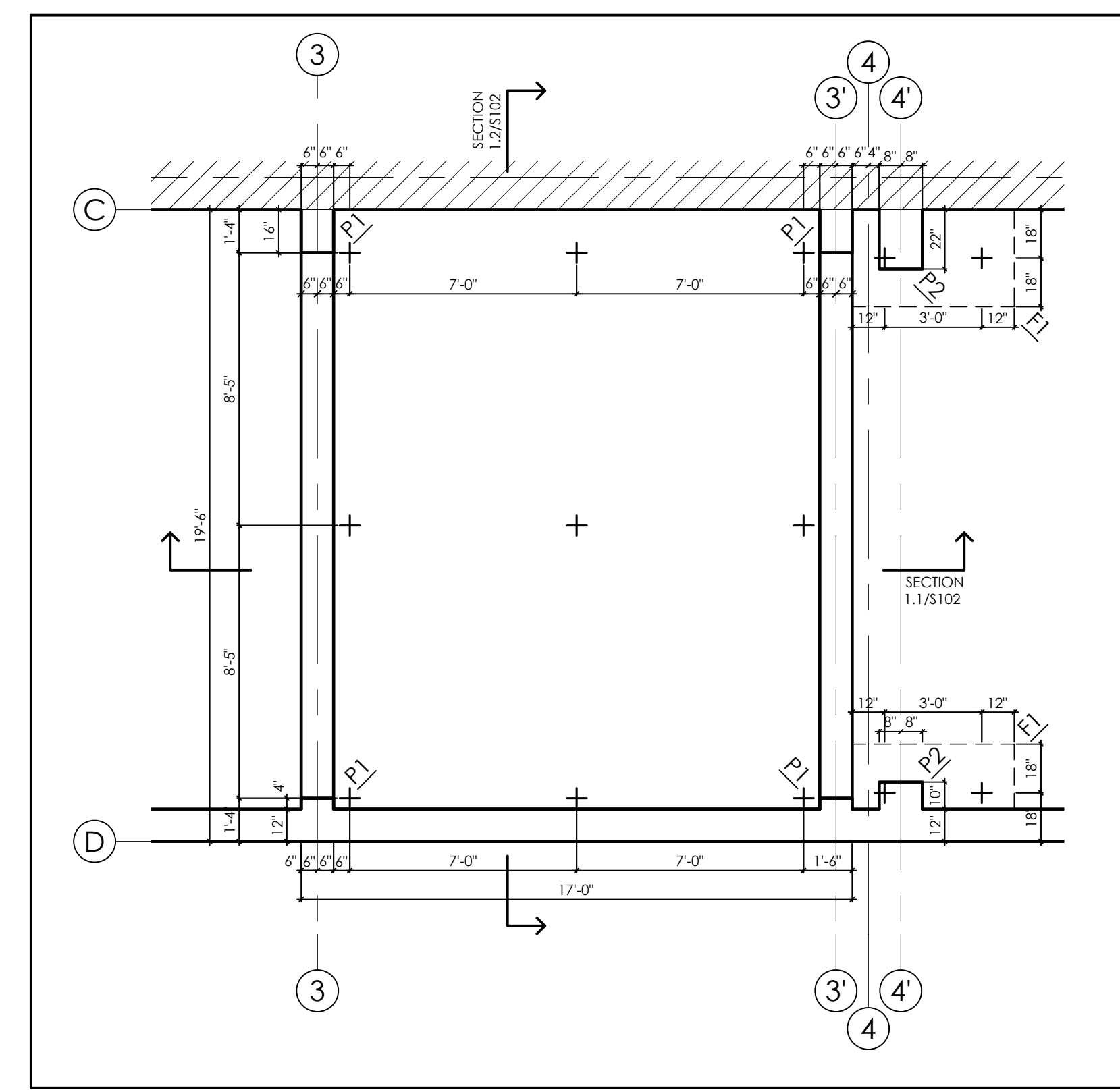
- LEGEND**
- + 10"Ø STEEL CONCRETE FILLED PIPE PILE
 - EXISTING STRUCTURE



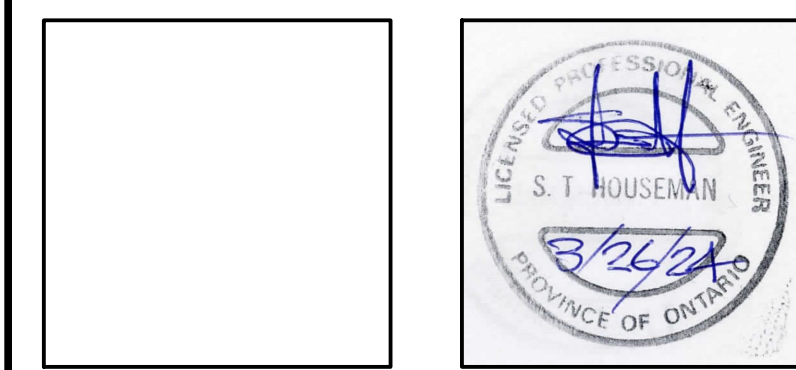
1 OVERALL PLAN: EDGE OF FOUNDATION WALLS
S100 SCALE: 3/16" = 1'-0"



2 PLAN DETAIL: TOP OF WALL & PILES (GRIDS 1 to 3)
S100 SCALE: 1/4" = 1'-0"



3 PLAN DETAIL: RECEIVER PIT BASEMENT FLOOR (GRIDS 3 to 5)
S100 SCALE: 1/4" = 1'-0"



S.HOUSEMAN & ASSOCIATES
327 POWELL AVE. - OTTAWA, ON - K1S 2A7
(613) 850-0025

PROJECT TITLE
RAIL SHED FOUNDATION
PORT OF JOHNSTOWN


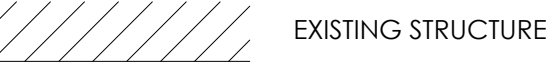
DRAWING TITLE
OVERALL PLAN & DETAILS

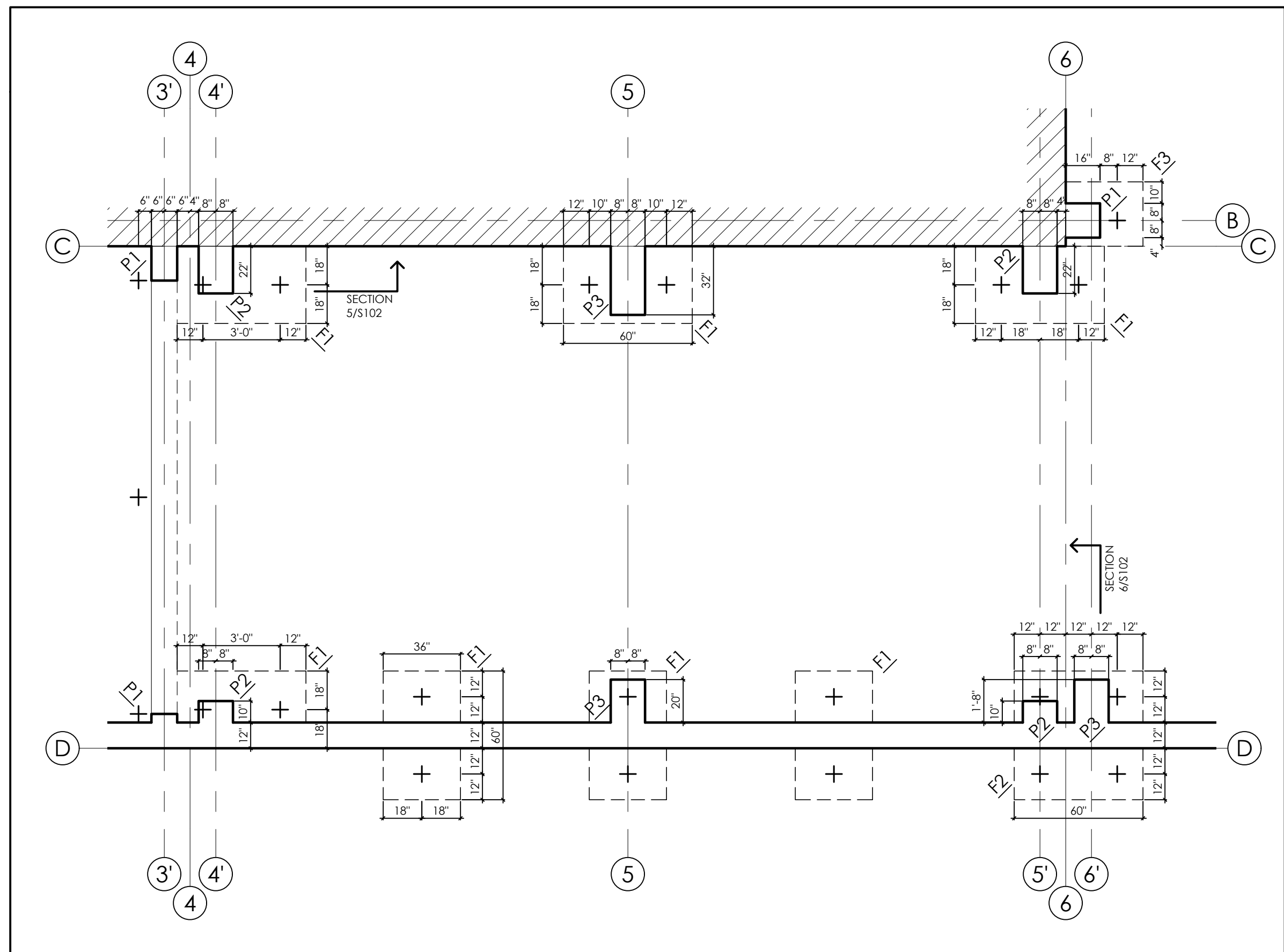
DESIGNED BY: STEVE HOUSEMAN
DRAWN BY: SH
START DATE: FEBRUARY 2024
SCALE: AS SHOWN
PROJECT NO. 300-508



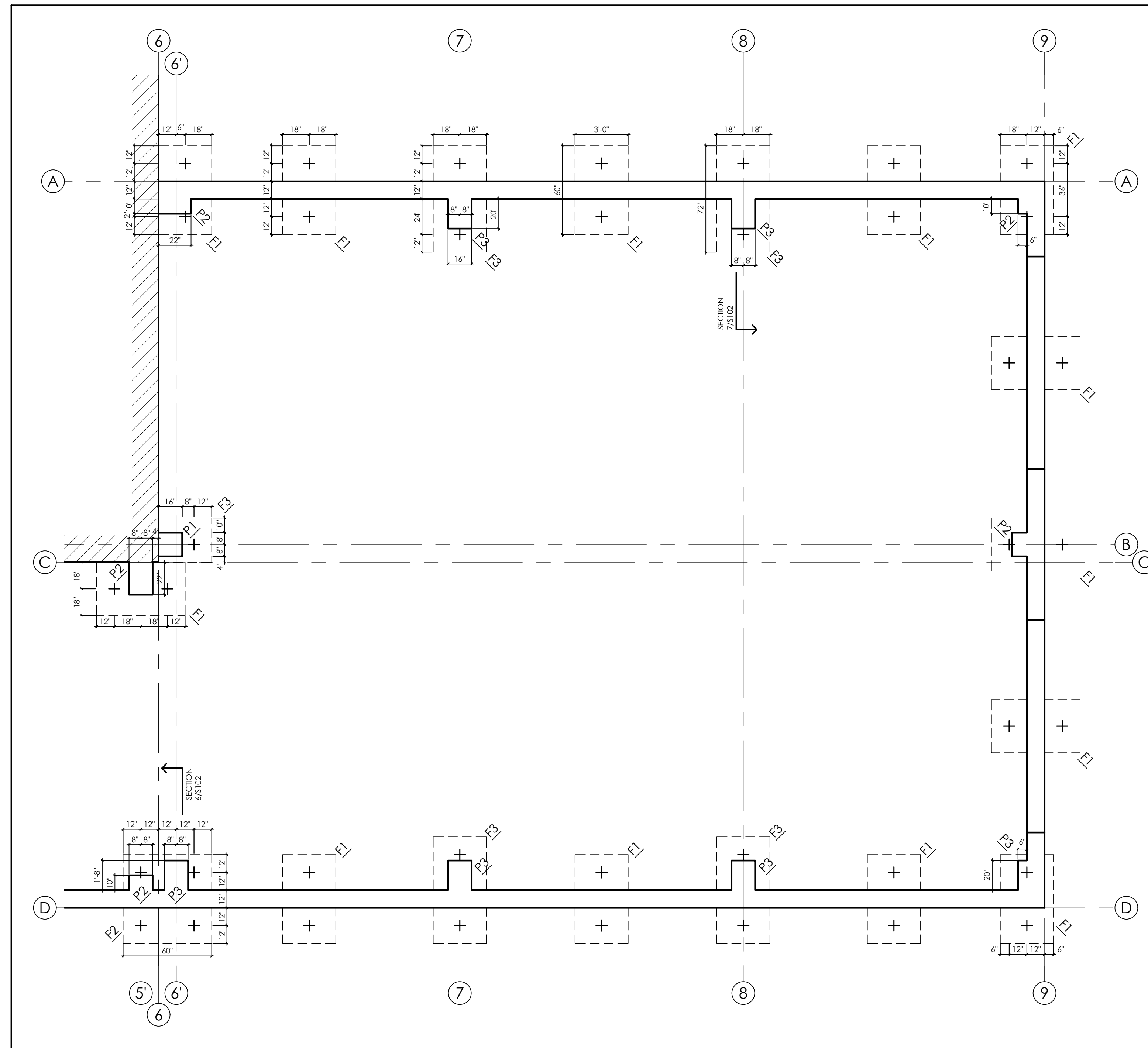
NO.	REVISION	DATE
1	FOR INTERNAL REVIEW ONLY	MAR. 20/2024
2	FOR 90% REVIEW	MAR. 26/2024
3	FOR TENDER	MAR. 28/2024

- GENERAL NOTES**
- DO NOT SCALE DRAWINGS.
 - DO ALL WORK IN ACCORDANCE WITH THE ONTARIO BUILDING CODE LATEST EDITION.
 - CONTRACTOR IS TO DO A COMPLETE LAYOUT OF THE WORK ON SITE BEFORE COMMENCING ANY WORK. REPORT ANY DISCREPANCIES BETWEEN THESE DRAWINGS AND EXISTING CONDITIONS IMMEDIATELY TO ENGINEER.
 - SEE PROJECT TENDER DOCUMENTS AND SPECIFICATIONS FOR ADDITIONAL REQUIRED INFORMATION PERTAINING TO THE WORK.

- LEGEND**
-  10"Ø STEEL CONCRETE FILLED PIPE PILE
 -  EXISTING STRUCTURE



1
S101 PLAN DETAIL: TOP OF WALL & PILES (GRIDS 3' to 6')
SCALE: 1/4" = 1'-0"



2
S101 PLAN DETAIL: TOP OF WALL & PILES (GRIDS 6' to 9')
SCALE: 1/4" = 1'-0"



S.HOUSEMAN & ASSOCIATES
327 POWELL AVE. - OTTAWA, ON - K1S 2A7
(613) 850-0025

PROJECT TITLE
RAIL SHED FOUNDATION
PORT OF JOHNSTOWN

DRAWING TITLE
PLAN DETAILS

DESIGNED BY: STEVE HOUSEMAN
DRAWN BY: SH
START DATE: FEBRUARY 2024
SCALE: AS SHOWN
PROJECT NO. 300-508


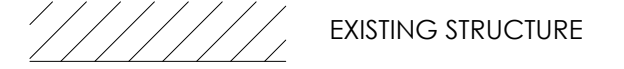
S101

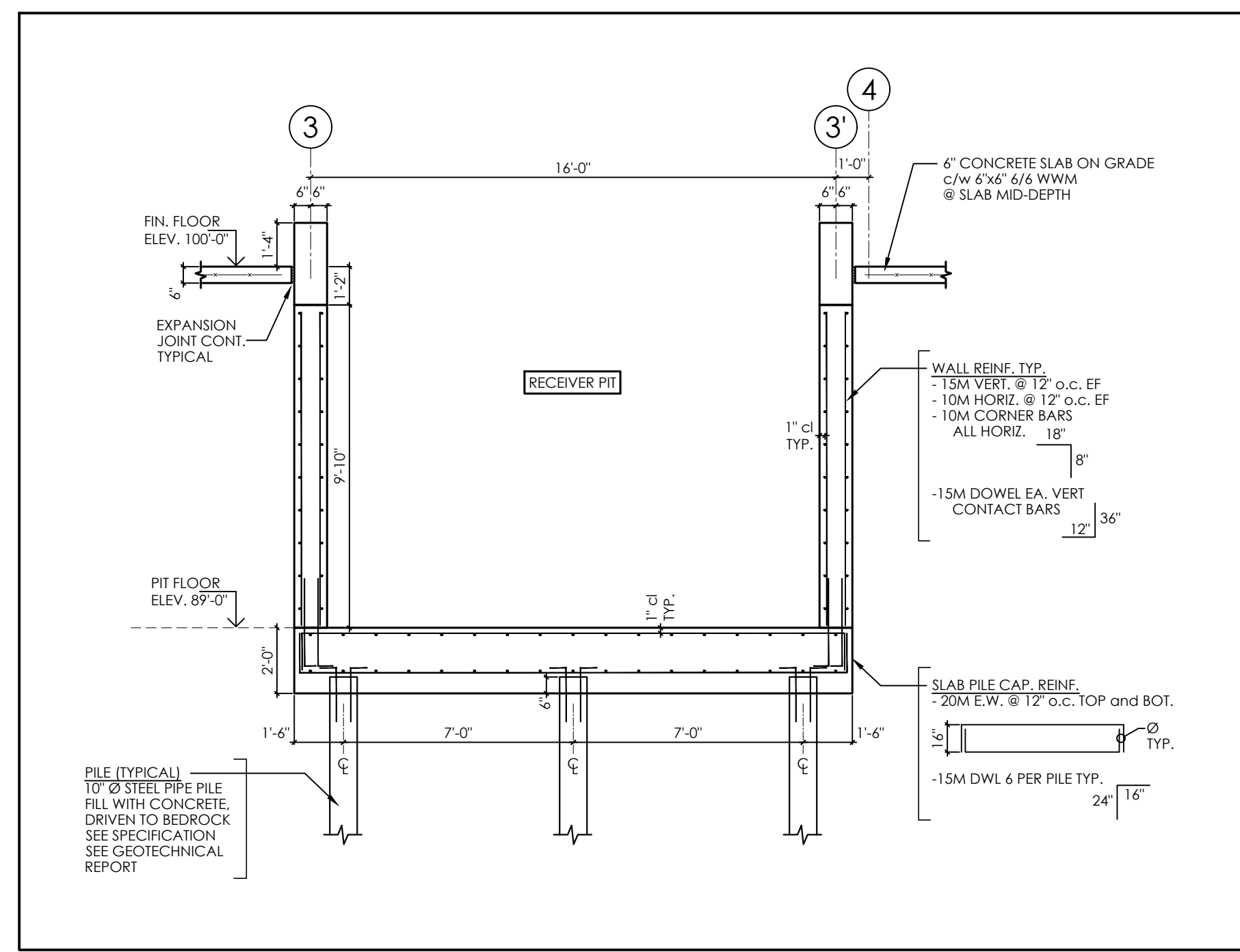
NO.	REVISION	DATE
1	FOR INTERNAL REVIEW ONLY	MAR. 20/2024
2	FOR 90% REVIEW	MAR. 26/2024
3	FOR TENDER	MAR. 28/2024

GENERAL NOTES

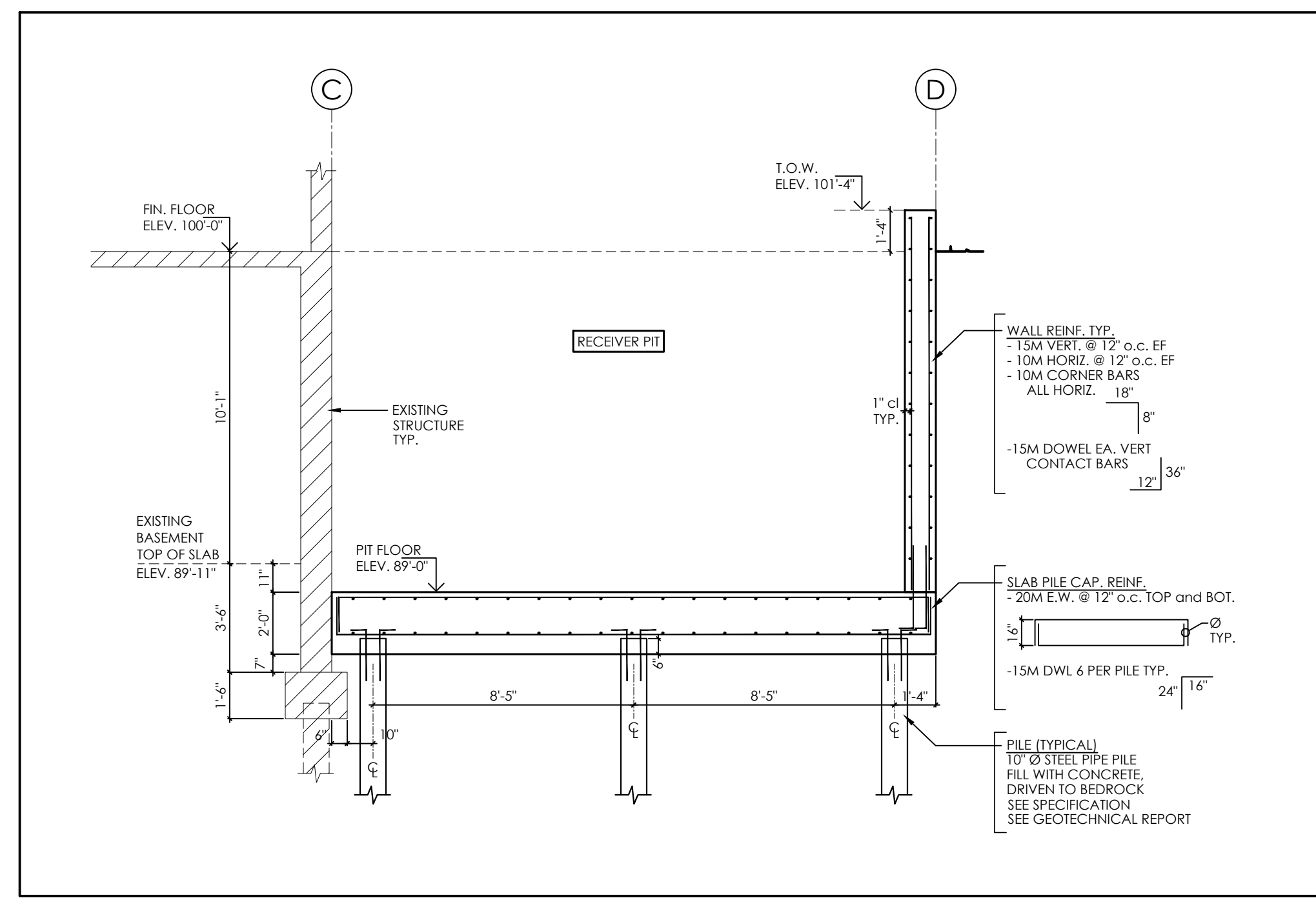
- DO NOT SCALE DRAWINGS.
- DO ALL WORK IN ACCORDANCE WITH THE ONTARIO BUILDING CODE LATEST EDITION.
- CONTRACTOR IS TO DO A COMPLETE LAYOUT OF THE WORK ON SITE BEFORE COMMENCING ANY WORK. REPORT ANY DISCREPANCIES BETWEEN THESE DRAWINGS AND EXISTING CONDITIONS IMMEDIATELY TO ENGINEER.
- SEE PROJECT TENDER DOCUMENTS AND SPECIFICATIONS FOR ADDITIONAL REQUIRED INFORMATION PERTAINING TO THE WORK.

LEGEND

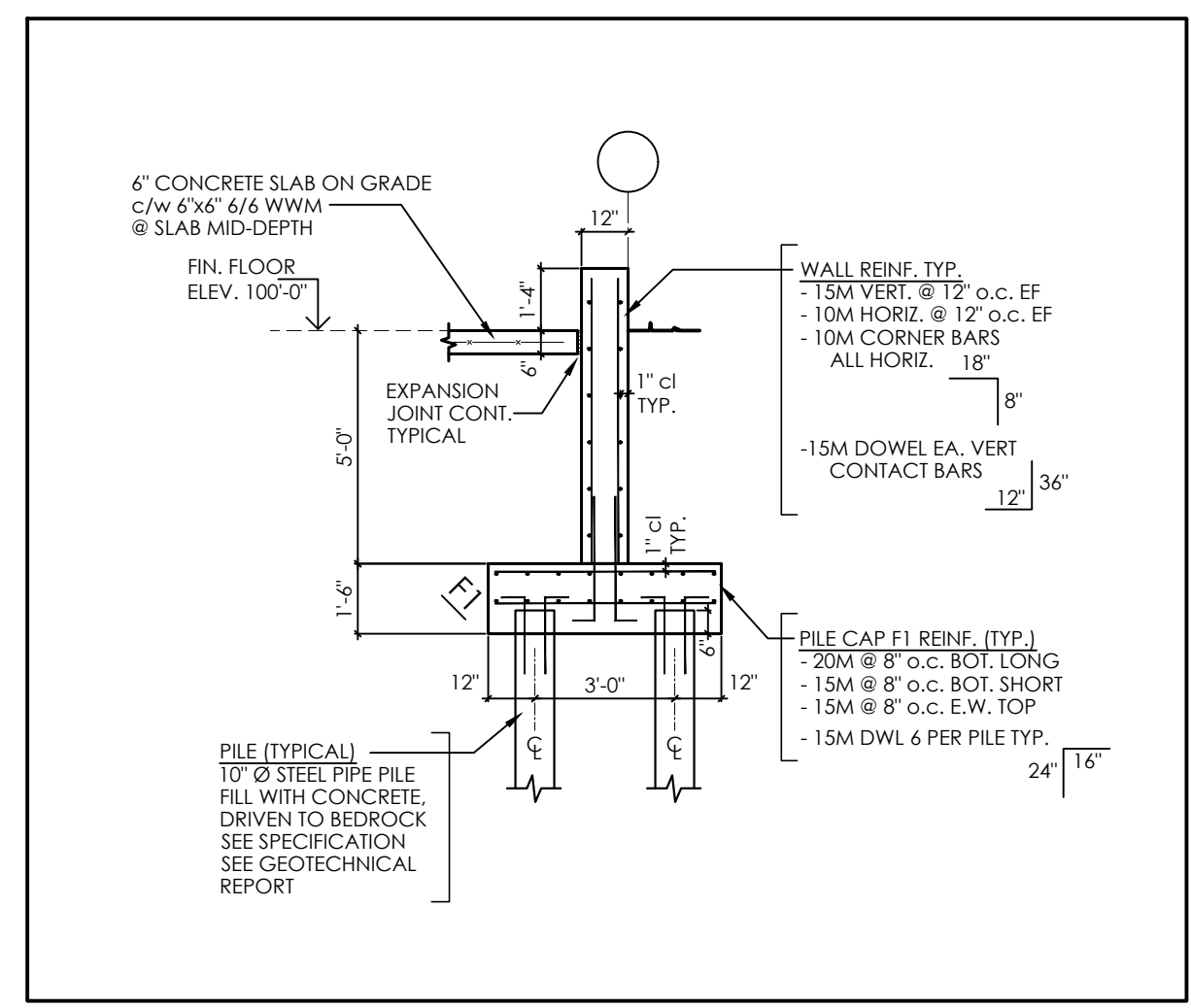
 10" Ø STEEL CONCRETE FILLED PIPE PILE
 EXISTING STRUCTURE



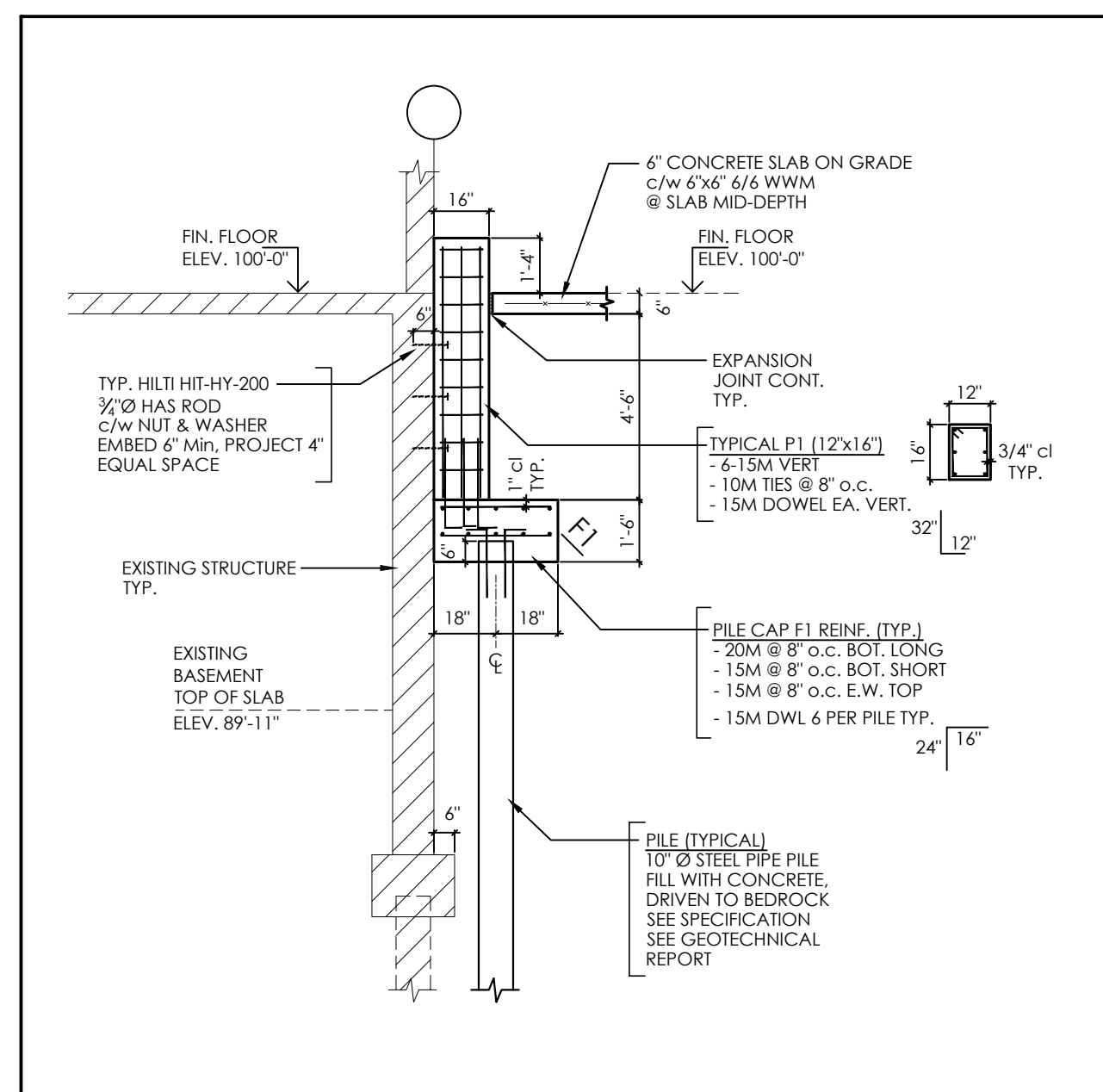
1.1 RECEIVER PIT SECTION
SCALE: 1/4" = 1'-0"



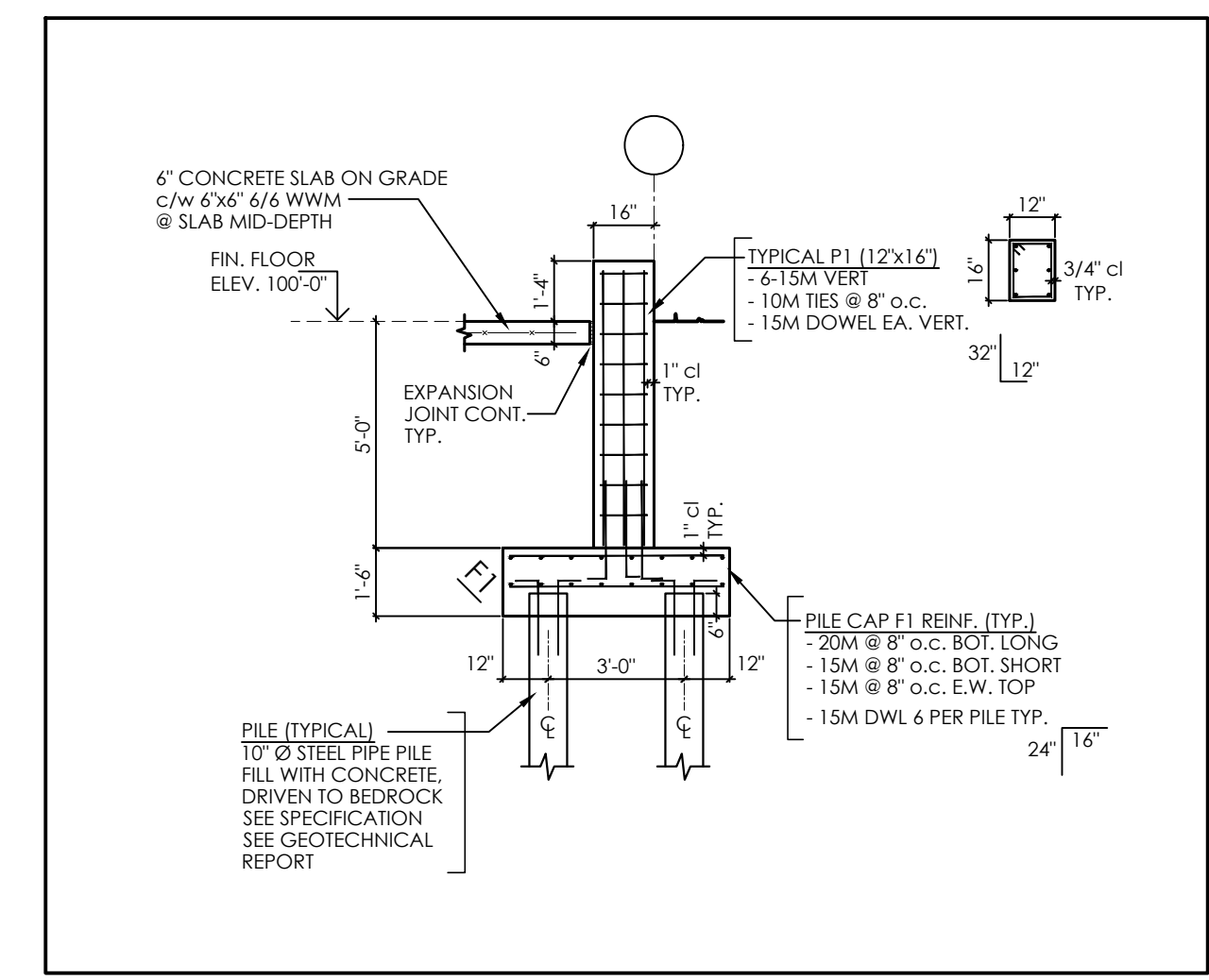
1.2 RECEIVER PIT SECTION
SCALE: 1/4" = 1'-0"



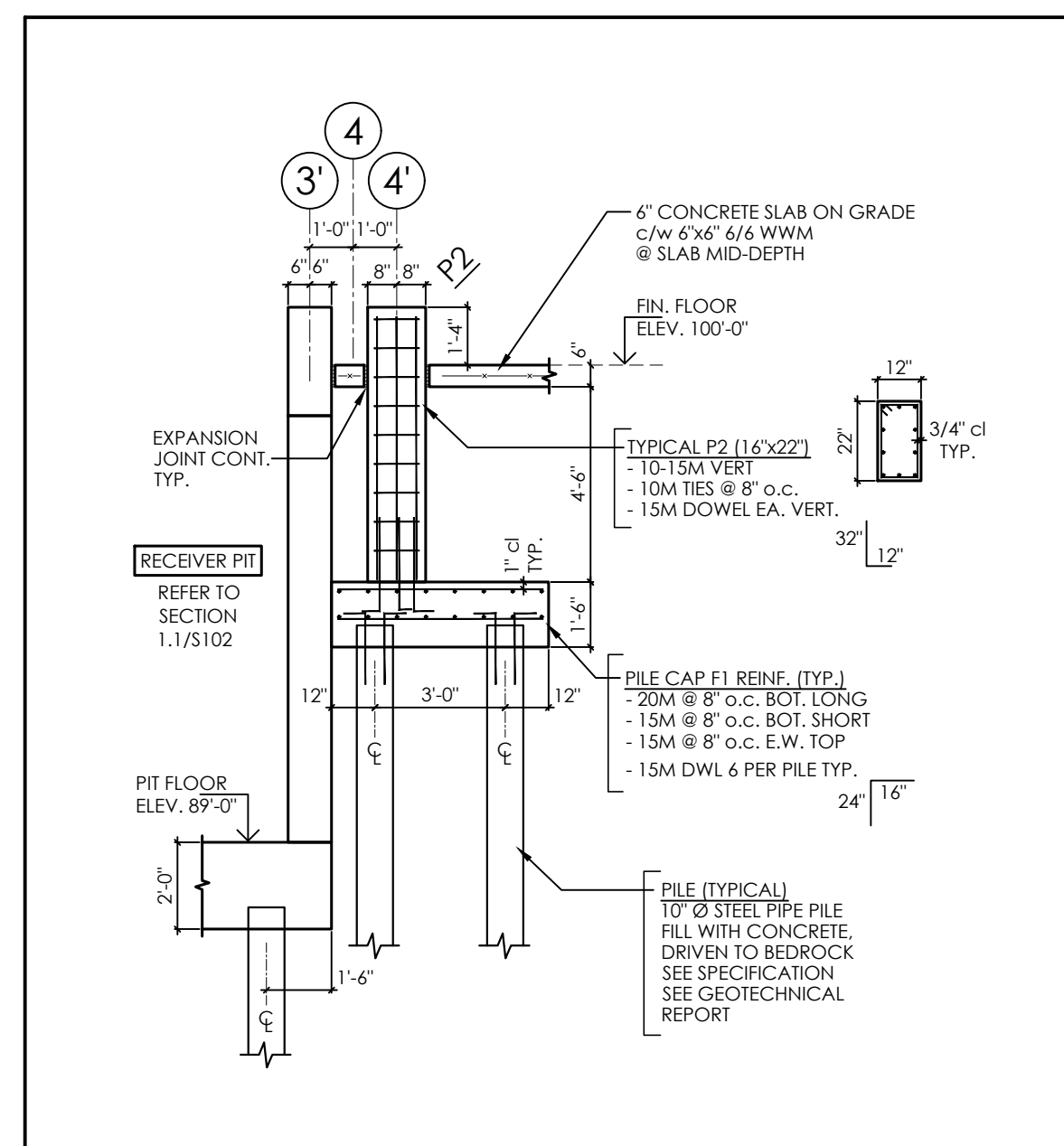
2 F1 & WALL TYPICAL
SCALE: 1/4" = 1'-0"



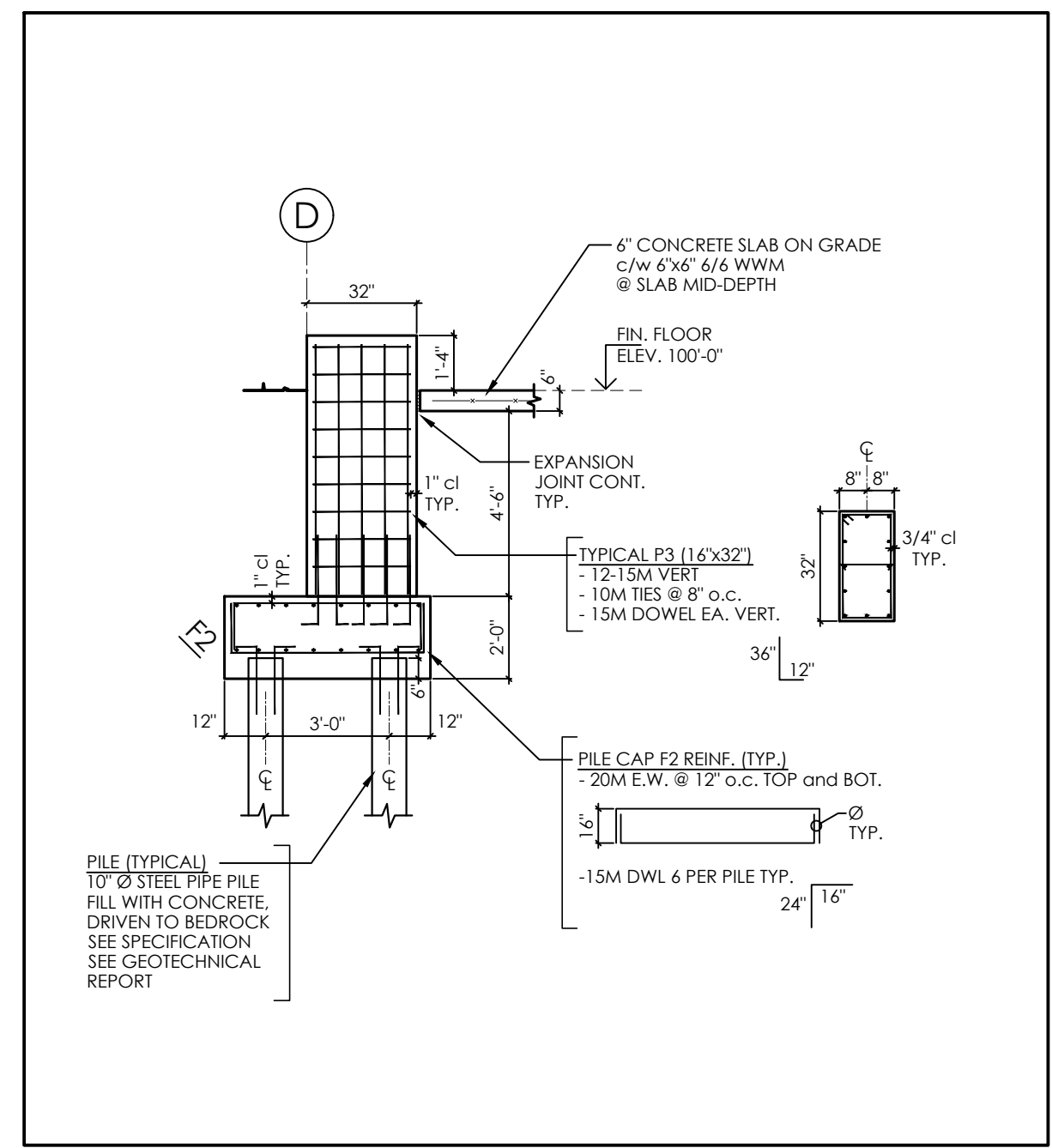
3 TYP. P1/F1 (ALONG GRID C)
SCALE: 1/4" = 1'-0"



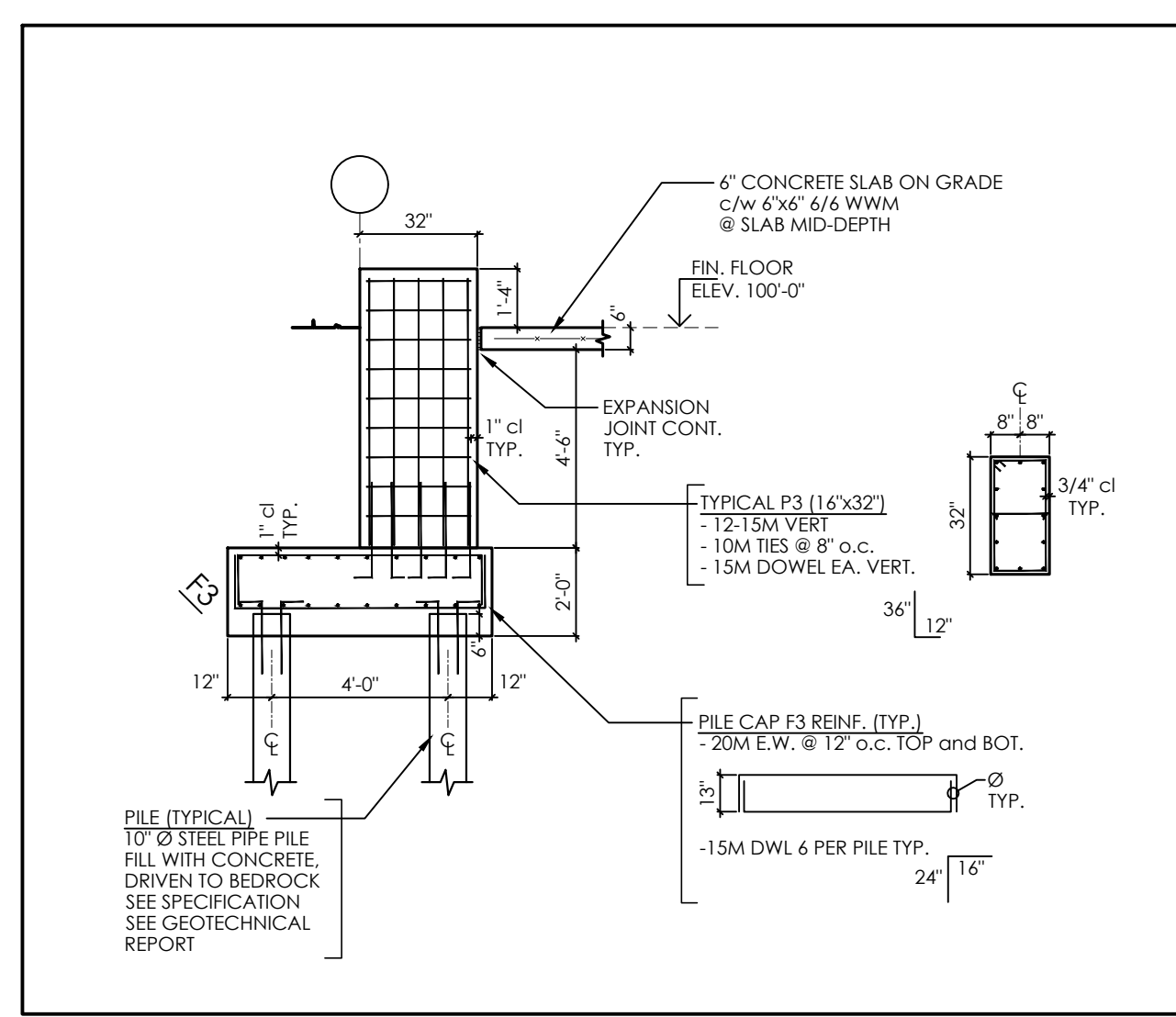
4 TYP. P1/F1 (ALONG GRID D)
SCALE: 1/4" = 1'-0"



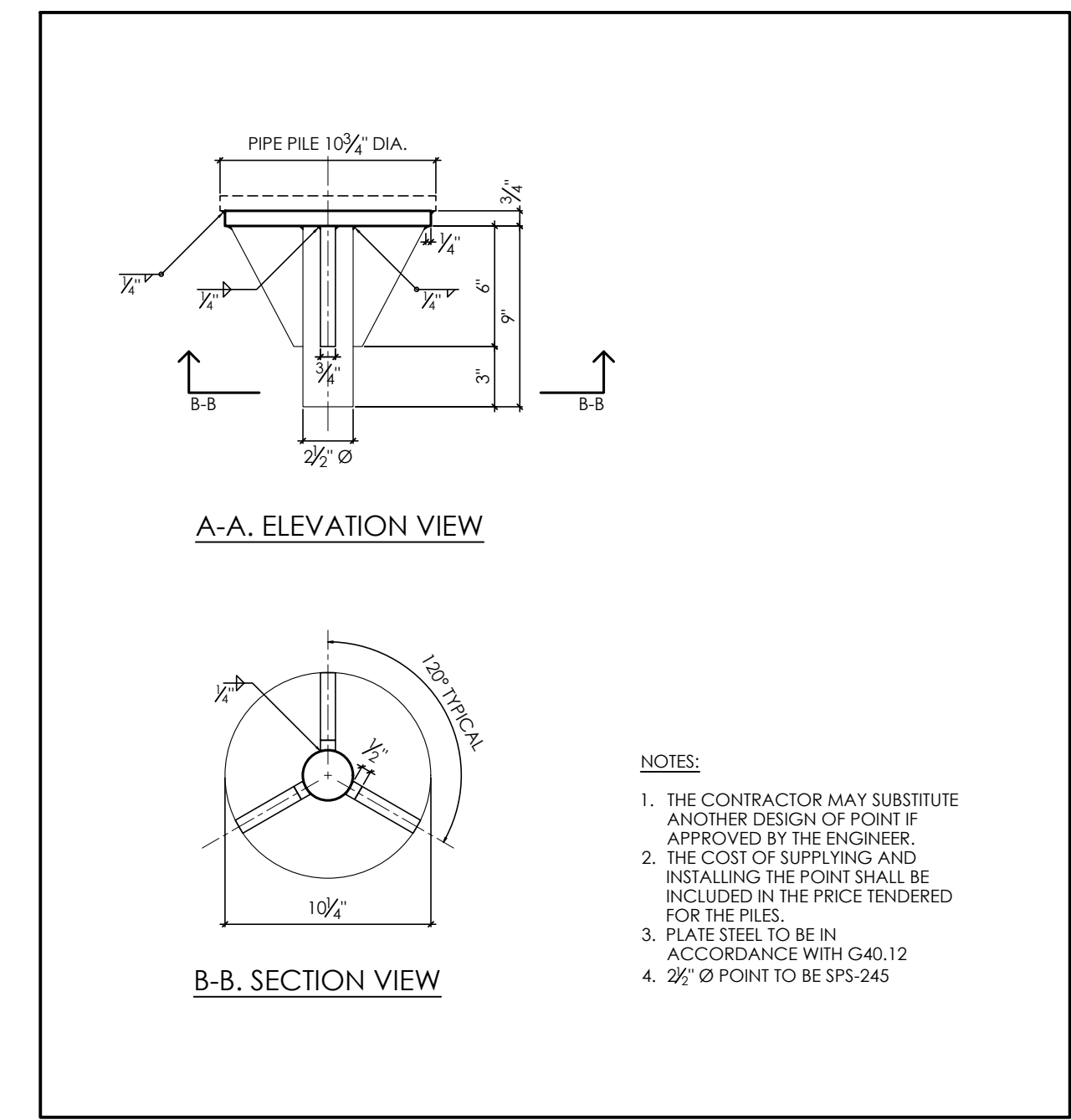
5 TYP. P2/F1 (ALONG GRID C)
SCALE: 1/4" = 1'-0"



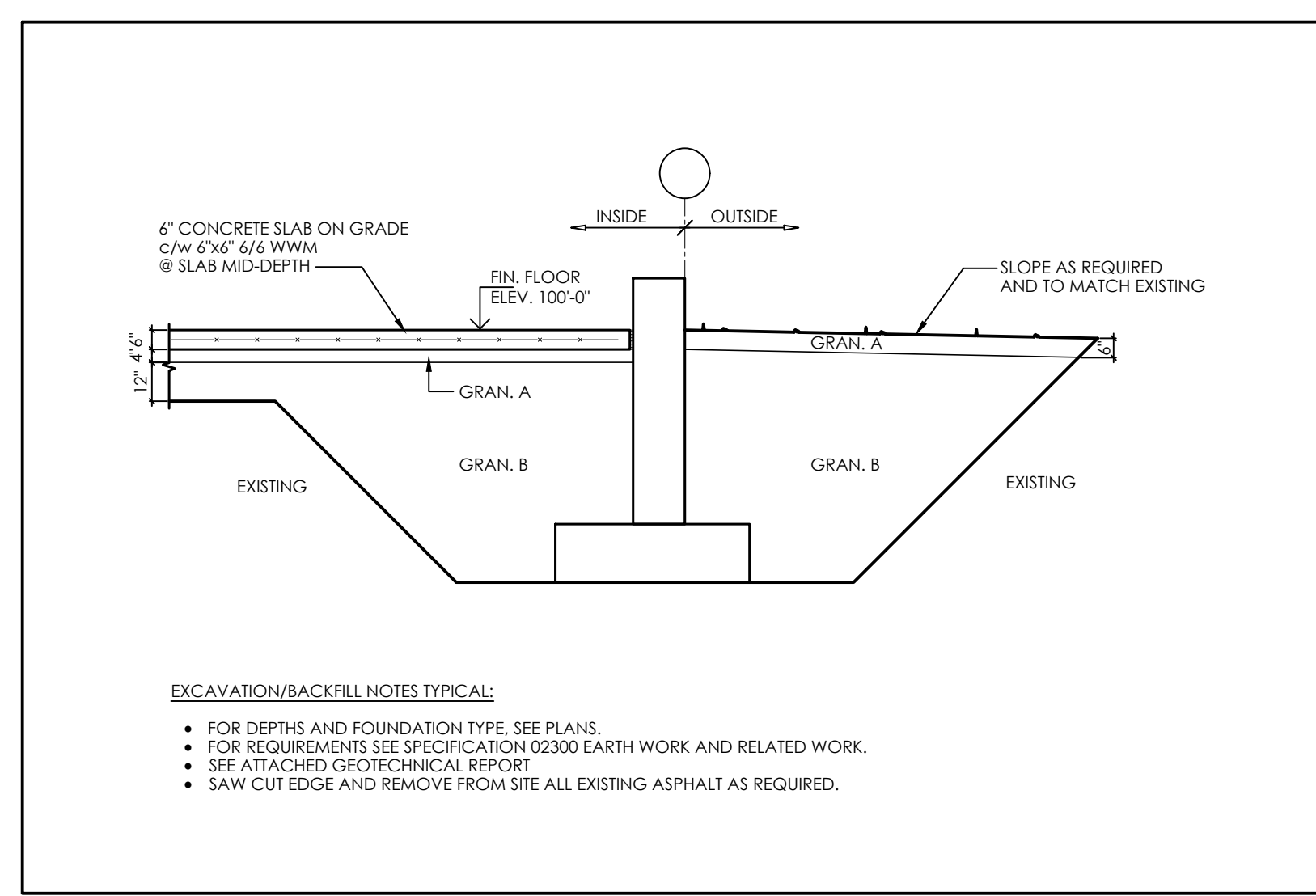
6 TYP. P3/F2 (ALONG GRID D)
SCALE: 1/4" = 1'-0"



7 TYP. P3/F3 (ALONG GRID A)
SCALE: 1/4" = 1'-0"



8 PILE POINT (TYPICAL)
SCALE: 1-1/2" = 1'-0"



9 EXCAVATION/BACKFILL DETAILS (TYPICAL)
SCALE: 1/4" = 1'-0"



S.HOUSEMAN & ASSOCIATES
327 POWELL AVE. - OTTAWA, ON - K1S 2A7
(613) 850-0025

PROJECT TITLE
RAIL SHED FOUNDATION
PORT OF JOHNSTOWN

DRAWING TITLE
SECTION DETAILS

DESIGNED BY: STEVE HOUSEMAN
DRAWN BY: SH
START DATE: FEBRUARY 2024
SCALE: AS SHOWN
PROJECT NO. 300-508

S102